

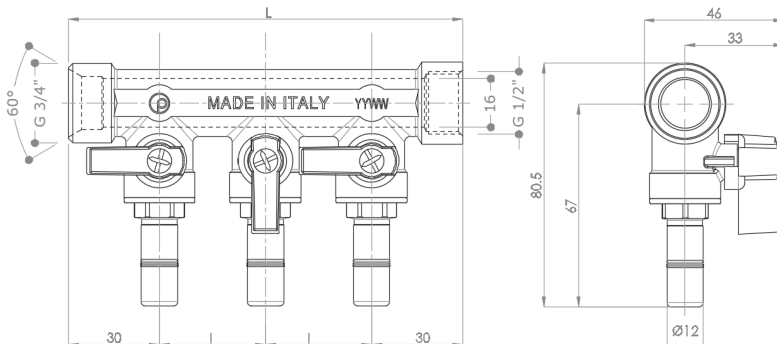


DESCRIPTION

# 703RSFQ

Mini manifold 3/4" M (60° sphero-conical BS5200) x 1/2" F with 3 or 4 male exits (male stem for push fittings) 12 mm, with incorporated ball valve and red lever. Available with the blue lever also (703BSFQ – 704BSFQ).

DIMENSIONS



Typeo	outlets	L (mm)	l (mm)	Weight (g)
703RSFQ	3	130	35	472
703BSFQ	3	130	35	472
704RSFQ	4	165	35	640
704BSFQ	4	165	35	640

Dimensions in mm

MATERIALS

<b>Body</b>	CW617N (EN 12165) CuZn40Pb2	<b>Handle</b>	Aluminum
<b>Ball</b>	CW614N (EN 12164) CuZn39Pb3 Chrome plated	<b>Seats</b>	PTFE
<b>Stem</b>	CW614N (EN 12164) CuZn39Pb3	<b>O-Ring</b>	EPDM

ACCESSORIES

**1007BOA**

Union piece 1/2" M x 3/4" F free nut (60° sphero-conical), with O-Ring



**1007K**

Union piece 1/2" M x 3/4" F free nut (60° sphero-conical), with O-Ring



**1007M**

Union piece 1/2" M x 3/4" F free nut (60° sphero-conical), with O-Ring length: 44, 52, 58 mm



**1007T**

Union piece 1/2" M x 3/4" F free nut (flat)



**046M**

M x F Elbow ( 1/2" M x 1/2" F)



**VS620**

Orientable manual air vent 1/2" M



**1007WFC**

Union piece 1/2" F x 3/4" F free nut (60° sphero-conical), with O-Ring  
 Union piece 3/4" F x 3/4" F free nut (60° sphero-conical), with O-Ring



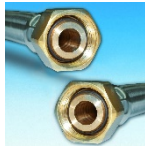
**1007MC**

Union piece 3/4" M x 3/4" F free nut (60° sphero-conical), with O-Ring



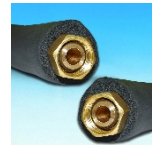
**Flexible**

Flexible hose DN15 3/4" F spheroconical (60° BS5200) x 3/4" F spheroconical (60° BS5200) with O-ring.



**Flexible**

Flexible hose DN15 3/4" F spheroconical (60° BS5200) x 3/4" F spheroconical (60° BS5200) with O-ring. 13mm or 19mm insulation available



**Flexible**

Flexible hose DN15 12 mm F push fitting x 12 mm F push fitting. 13mm or 19mm insulation available

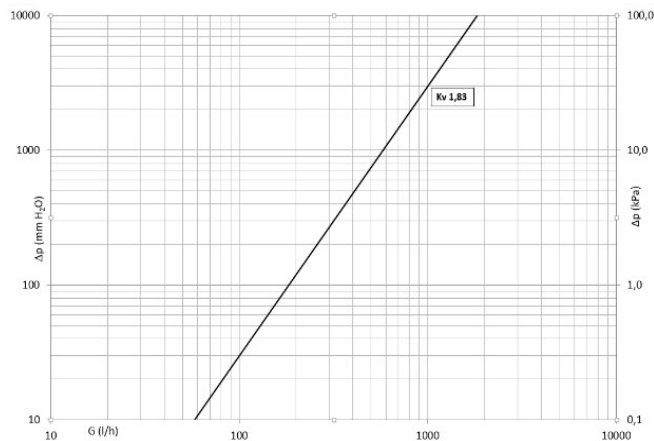


**Flexible**

Flexible hose DN15 12 mm F push fitting x 12 mm M push fitting. 13mm or 19mm insulation available

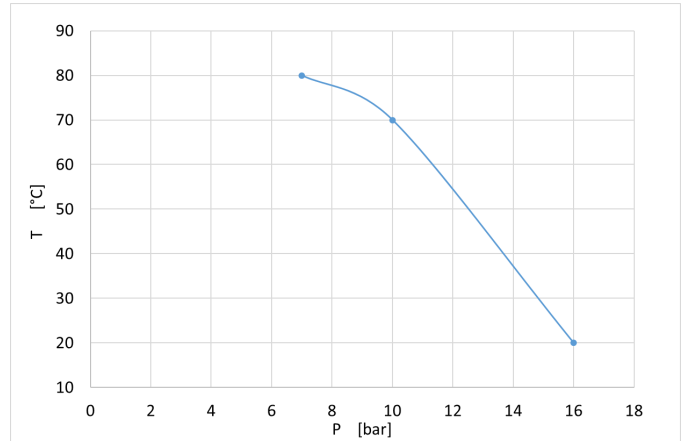


**PRESSURE DROP DIAGRAM**



The diagram beside shows the pressure drop of a couple of manifolds **703 \_\_\_ Q - 704 \_\_\_ Q** taking into account only one exit.


**PRESSURE/TEMPERATURE DIAGRAM**

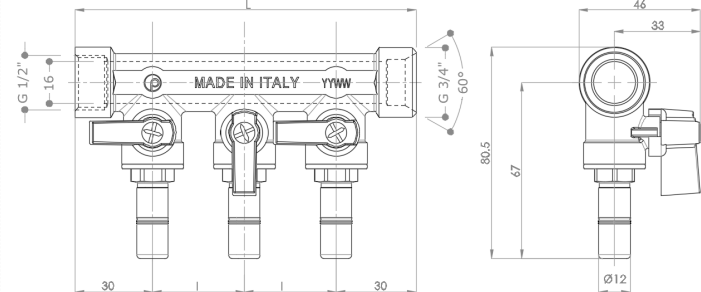


This limit is related to the use of female push fittings along with the manifold **703 \_\_\_ Q - 704 \_\_\_ Q**

**VARIANTS**

**703RFSQ / 703BFSQ - 704RFSQ / 704BFSQ**





Outlets	L (mm)	I (mm)
3	130	35
4	165	35

**703RFSQ** Mini manifold 1/2" F x 3/4" M BS5200 60° with 3 male exits (male stem for push fittings) 12 mm, with incorporated ball valve and red lever.

**703BFSQ** Mini manifold 1/2" F x 3/4" M BS5200 60° with 3 male exits (male stem for push fittings) 12 mm, with incorporated ball valve and blue lever.

**704RFSQ** Mini manifold 1/2" F x 3/4" M BS5200 60° with 4 male exits (male stem for push fittings) 12 mm, with incorporated ball valve and red lever.

**704BFSQ** Mini manifold 1/2" F x 3/4" M BS5200 60° with 4 male exits (male stem for push fittings) 12 mm, with incorporated ball valve and blue lever.

